

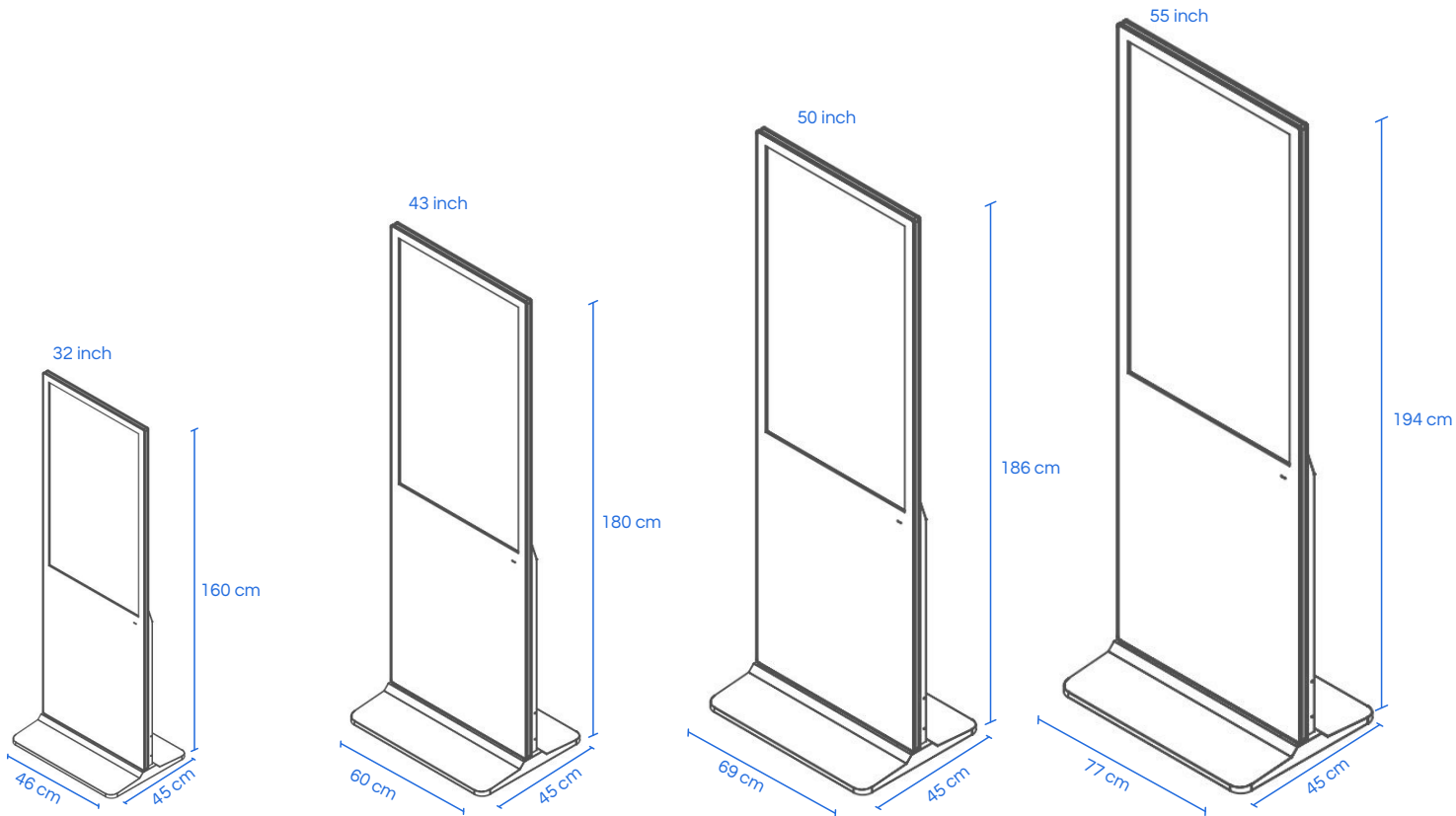


Your Digital Signage Partner

SWEDX Touch Lamina Interactive Kiosks



Touch Lamina Interactive Kiosks



Specifications		Model ID															
		SWLT-32X8-A1		SWLT-32X8-A2		SWLT-43K8-A1		SWLT-43		SWLT-50K8-A1		SWLT-50K8-A2		SWLT-55K8-A1		SWLT-55K8-A2	
Color		White	Black	White	Black	White	Black	White	Black	White	Black	White	Black	White	Black		
Panel	Size	32 inch		43 inch		50 inch		55 inch									
	Aspect Ratio	16:9															
	Panel Resolution	1920 x 1080 pixels				3840 x 2160 pixels											
	Refresh Rate	60 Hz															
	Static Contrast	5000:1		5000:1		4000:1		4000:1									
	Brightness	350 cd/m ²		350 cd/m ²		350 cd/m ²		350 cd/m ²									
	Response Time	8.5 ms		8.5 ms		9.5 ms		9.5 ms									
	Viewing Angle	178/178		178/178		178/178		178/178									
Power	Input Volrage	100-240 V ~ 50/60Hz															
	Power Consumption	46 W		71 W		110 W		130 W									
	Stand-by Power Consump.	<0.50 W															
	Energy efficiency class	G															
Environment	Lead Presence	Yes															
	Mercury	0 mg															
	Operating Temp.	0 °C to 50 °C															
	Storage Temp.	-30°C to 60°C															
	Operating Humidity	10% to 80%															
	Storage Humidity	5% to 95%															
Connections	Max Input Signal	1920x1080 @ 60Hz				3840 x 2160 @ 60Hz											
	HDMI	1 x HDMI V. 1.4				3 x HDMI V. 2.0											
	USB Media Player	1 x USB 2.5				2 x USB 2.0											
	VGA	X				1											
	Digital Audio Output	X				1 x Coaxial											
Speakers	Audio Out	2 x 10 W															
	Interface	USB															
Touch	Technology	Capacitive Touch				Infrared											
	Points	10															
	Protection Glass	X				4 mm											
Dimensions	Product	160 x 46 x 45 cm				180 x 60 x 45 cm				186 x 69 x 45 cm				192 x 77 x 45 cm			
Weight	Net	30 kg				38 kg				42 kg				51 kg			
Dimension	Package	166 x 59 x 16 cm				186 x 73 x 16 cm				191 x 80 x 16 cm				196 x 87 x 16 cm			
Weight	Gross	34 kg				43 kg				47 kg				57 kg			