

# PROMOTOR Grafix

PROMOTOR GRAFIX, *New* easy to use graphic displaying solution. Ideal for Promotions where graphics have to be changed on a regular basis. For maximum effect permanent graphics can be applied to the product, with the advantage of a changeable graphic laid over the top with this easy to use graphic rail system, a perfect way for promotions that require a regular message that can be changed with ease.

- Durable clip tight rails hold graphics in place securely, tool free.
- Easy to use, simply place graphic into position, foam lining allowing graphic to sit perfectly in place with no wrinkles or creases.
- Promotor unit, similar in design to Promotor Budget, Merit and Demo Center with modern curved front, middle shelf and bottom that sits on the floor giving added stability and allowing graphic rails to sit between top and bottom giving a perfect quality finish.
- Available in Black or White including rails.
- High quality design, for reusable use, at a very competitive price.





## Dimensions & Weights

<b>WEIGHTS</b> .....	Kg
Rigid top .....	1.52
Top .....	1.14
Shelf .....	1.12
Bottom .....	1.14
Body Panel .....	4.28
Pole Set (four pieces) R .....	1.80
Header .....	0.73
Bag .....	1.04

## PACKING

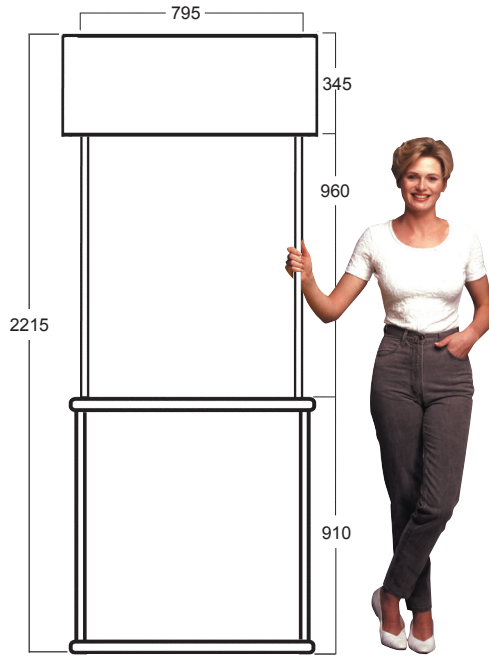
Individual reusable carton ..... 1.94

External measurements

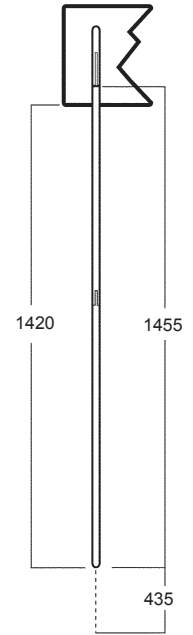
925mm x 845mm x 117mm

Bulk packaging, dimensions and weight dependent on number of units required.

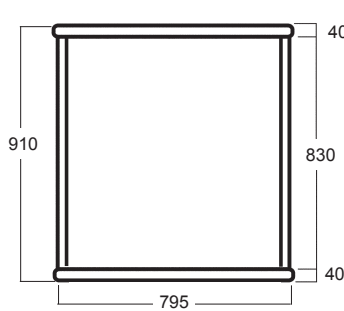
*Weights and measurements quoted are approximate.*



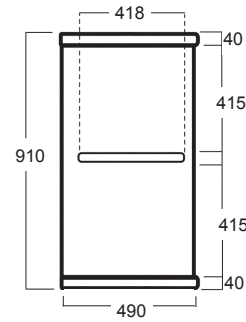
**UNIT AND HEADER**



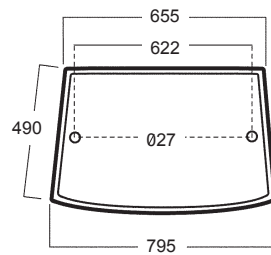
**POLES R  
POLES SIT ON SHELF**



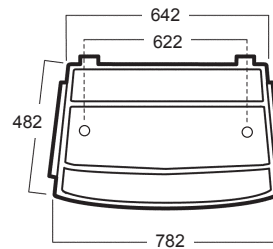
**FRONT**



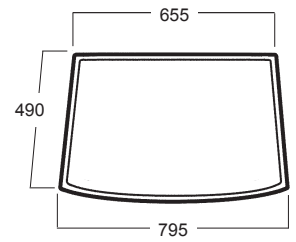
**SIDE**



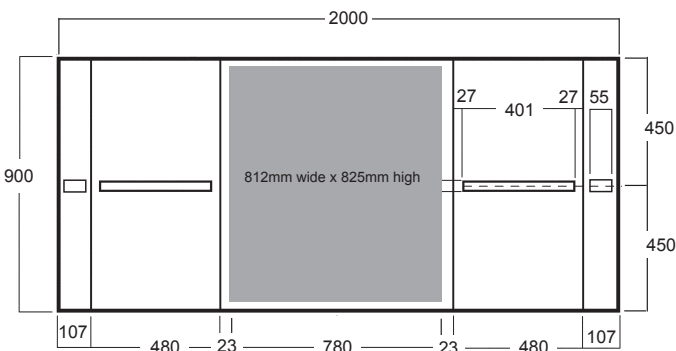
**TOP/RIGID TOP**



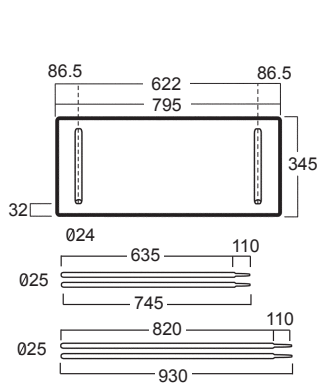
**SHELF**



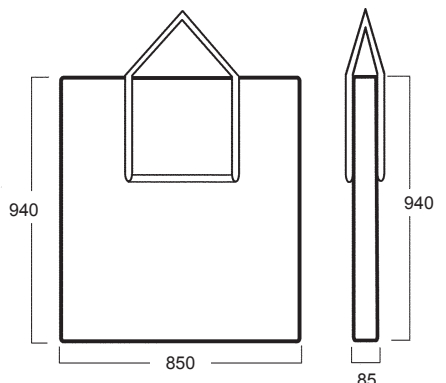
**BOTTOM**



**GRAPHIC SIZE ALLOW 37.5mm FOR TOP & BASE**



**HEADER & POLES R**



**BAG**